



# ARITCO A1 PLATFORMLIFT (7000-SERIES) for wheel chairusers



## TECHNICAL FEATURES STANDARD MODEL

- \* Lifting Capacity: 410 KG (or option 500 Kg)
- \* Speed: 0,15 m / sec
- \* Max. Lifting height: 13,00 m - max. 5 stops
- \* Platform Dimensions: 1480 x 1000 mm
- \* Motor: 2,2 Kw with softstarter
- \* Tension: 3 x400 V / 3 x230 V/16 Amp or single phase 230 V
- \* Dimensions shaft: 1600 x 1375 mm

# A1 PLATFORMLIFT (7000-SERIES)

## THE ADVANTAGES

=====

- \* Small lift pit required 50 mm (or ramp 50mm = option)
- \* Always delivered with liftshaft
- \* Shaft can be provided with safety glass panels (optional)
- \* Standard overhead: 2300 mm
- \* Shortened overhead : 1100 mm to a lifting height of max. 3 m
- \* Traction system : screw with safety nut
- \* 8 different platform dimensions (see Technical Dimensions document)
- \* Doors possible on 3 sides
- \* Manual or automatic doors
- \* Standaard colour Ral 9003
- \* Other Ral-colours possible (= option)
- \* Soft Start/Stop button
- \* Ce-marked following the new Machinery directive 2006/42/EC
- \* Conform with European norm EN 81-41



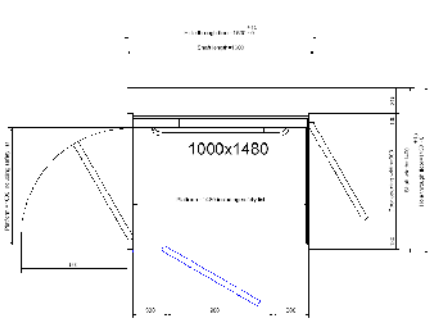
Lift Construct BVBA  
Lange Lobroekstraat  
2060 Antwerpen  
Tel: 03/226 12 72 - Fax: 03/226 94 24  
[www.liftconstruct.be](http://www.liftconstruct.be)  
[info@liftconstruct.be](mailto:info@liftconstruct.be)

# ARITCO TYPE A1 (7000-series)

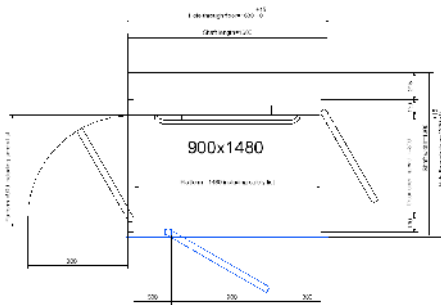
## Technical Dimensions + drawings of different floor variants

All measurements in mm	STANDARD	SHORTENED	NARROWED	SHORTENED & NARROWED	EXTENDED	ENLARGED	EXTENDED & ENLARGED	MINI A1
Necessary opening	<b>1405x1630</b>	1405x1430	1305x1630	1305x1430	1405x2130	1505x1630	1505x1630	1330x1190
Shaft dimensions	<b>1375x1600</b>	1375x1400	1275x1600	1275x1400	1375x2100	1475x1600	1475x1600	1300x1160
Platform floor dimensions	<b>1000x1480</b>	1000x1280	900x1480	900x1280	1000x1980	1100x1480	1100x1580	900x1040
Doors A-side	<b>900</b>	900	800	800	900	900	900	800
Doors B-side	<b>900</b>	900	900	900	900	900	900	800
Doors C-side	<b>900</b>	900	800	800	900	900	900	800
Max. KG	<b>410/500</b>	410	410/500	410	500	410/500	410/500	410
Lifting height	<b>250-13000</b>	250-13000	250-13000	250-13000	250-13000	250-13000	250-13000	250-13000
Speed	<b>0,15 m/s</b>	0,15 m/s	0,15 m/s	0,15 m/s	0,15 m/s	0,15 m/s	0,15 m/s	0,15 m/s

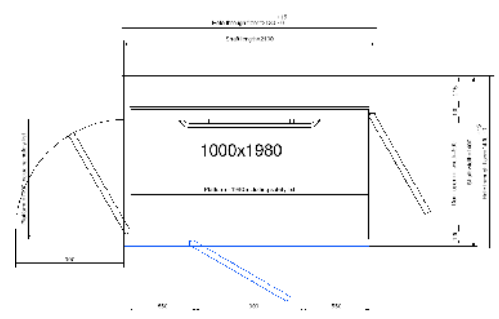
**STANDARD**



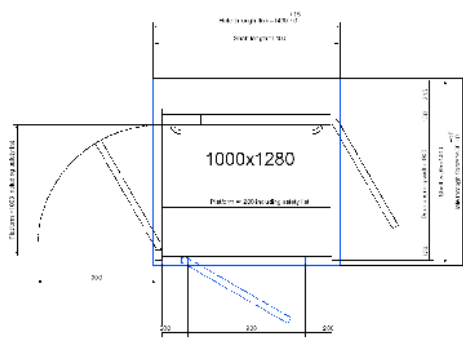
**NARROWED**



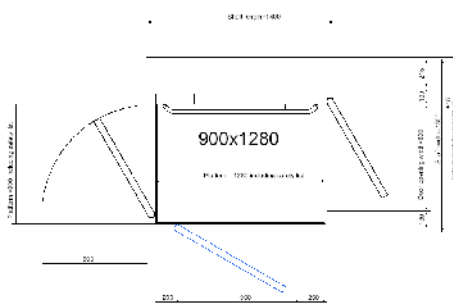
**EXTENDED**



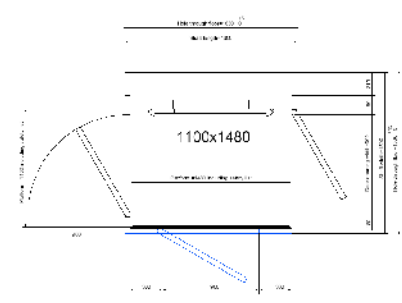
**SHORTENED**



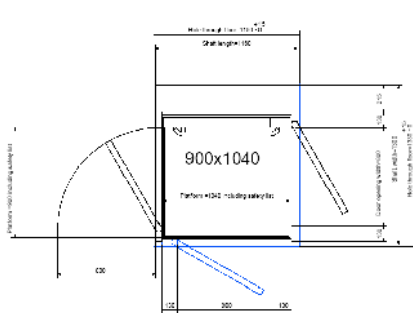
**NARROWED AND SHORTENED**



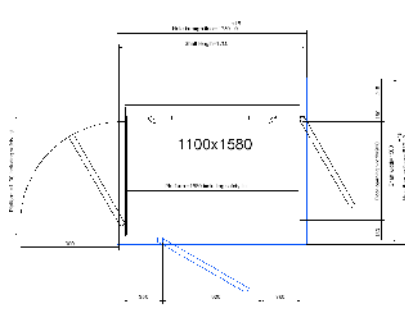
**ENLARGED**



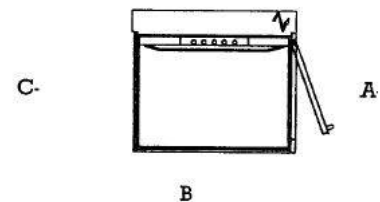
**MINI A1**



**ENLARGED AND EXTENDED**



**DOORSIDES**



**LIFT CONSTRUCT BVBA – WWW.LIFTCONSTRUCT.BE**