

# STRATEGOS TYPE B WHEELCHAIR PLATFORMLIFT

## Technical Specifications

Lifting Capacity : 300 Kg (2 pers. Or wheelchair)

Speed : 0.06 m/s

Lifting Height : 0.5 – 3.0 m

Dimensions : 1040 mm x 1500 mm

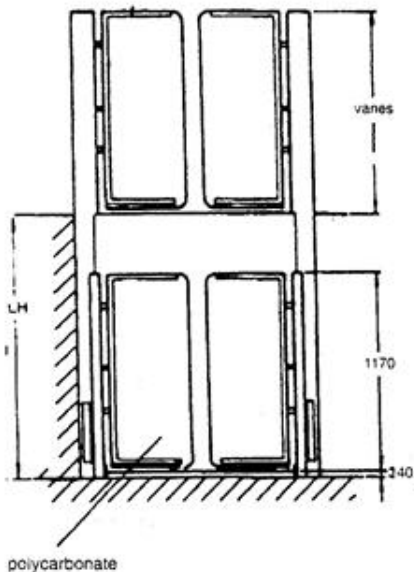
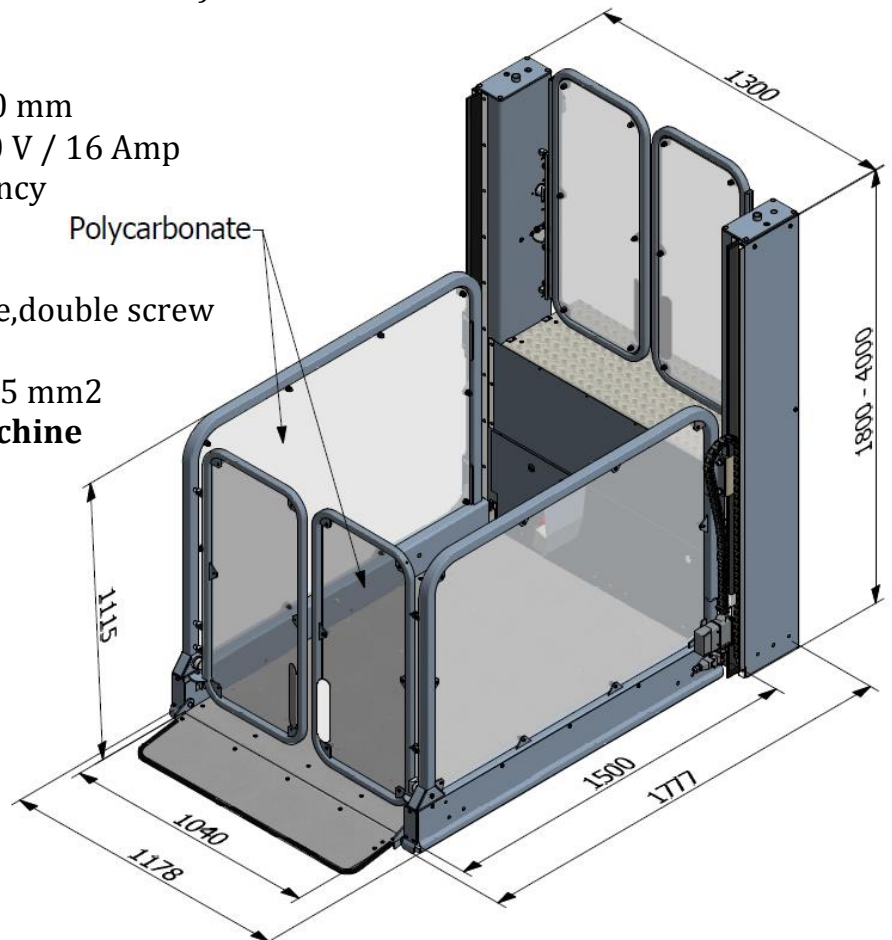
Tension : single phase 230 V / 16 Amp  
with VVF frequency  
converter

Controlsystem : 24 V

Motor : 2,5 KW belt drive, double screw  
and nut

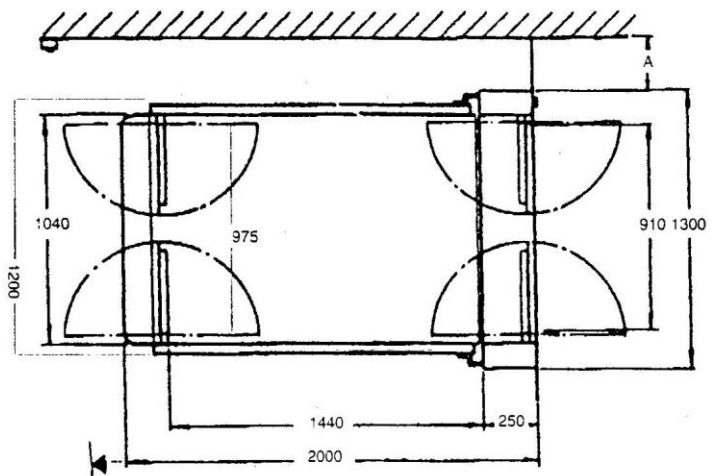
Electrical connection : VVB-3 x 2,5 mm<sup>2</sup>

**Provided with New European Machine  
directive certificate 2006/42/CE**



LH = Lifting Height A = Distance to wall (minimum 100 mm. )

**LIFT CONSTRUCT BVBA**  
Lange Lobroekstraat 183  
2060 ANTWERPEN  
Tel.: 03/226.12.72  
Fax: 03/226.94.24  
e-mail: [info@liftconstruct.be](mailto:info@liftconstruct.be)  
website: [www.liftconstruct.be](http://www.liftconstruct.be)



## STRATEGOS TYPE B



- \* Hot galvanized as standard (any RAL colour powder coating as option)
- \* Safe and reliable
- \* Made for outdoor as well as for indoor use
- \* No pit required
- \* CE-marked by new machine directive 2006/42/EC
- \* Simple attachment against a wall the lifting device needs a steady ground
- \* Can be mounted on a free standing frame (option)
- \* Safety plate under platform
- \* Emergency lowering by a crank or UPS
- \* Side panels and doors have polycarbonate as safety protection

### OPTIONS:

- \* Stainless steel
- \* Powder coating in any RAL colour
- \* Side access (90°)
- \* Automatic doors (1 panel)
- \* Automatic ramp
- \* Safety glass